



## **2019 Durrence Layne Chevrolet Modified Sportsman Division Rules** **(Changes for 2019 will be highlighted in Red)**

### **WEEKLY GENERAL RULES:**

1. THE RULES AND/OR REGULATIONS SET FORTH HEREIN DOES NOT EXPRESS OR IMPLIES WARRANTY OF SAFETY FROM PUBLICATION OF OR COMPLIANCE WITH THESE RULES AND/OR REGULATIONS. THESE RULES ARE INTENDED AS A GUIDELINE FOR THE CONDUCT OF THE CRATE RACIN' USA SANCTIONED MODIFIED SPORTSMAN DIVISION, ALSO KNOWN AS THE NESMITH MODIFIED SPORTSMAN DIVISION, AND ARE IN NO WAY A GUARANTEE AGAINST INJURY TO PARTICIPANTS.
2. THESE RULES AND/OR REGULATIONS WILL APPLY TO ALL CRATE RACIN' USA MODIFIED SPORTSMAN DIVISION SANCTIONED EVENTS.
3. CRATE RACIN' USA OFFICIALS SHALL HAVE FULL AUTHORITY OVER SAID SANCTIONED EVENTS, AND IN THE EVENT OF ANY DISPUTE THE HEAD OFFICIAL'S DECISION WILL BE FINAL.
4. ALL COMPETITORS ARE SUBJECT TO BE INSPECTED BY THE CRATE RACIN' USA TECHNICAL INSPECTORS AT ANY TIME DURING ANY EVENT.
5. **CRATE RACIN' USA RESERVES THE RIGHT TO CONFISCATE ANY SUSPICIOUS, OR DEEMED ILLEGAL COMPONENTS.**
6. CRATE RACIN' USA RESERVES THE RIGHT TO ALTER OR AMEND THESE RULES AND/OR REGULATIONS IN THE INTERESTS OF FAIR COMPETITION. ALL OFFICIAL'S DECISIONS ARE FINAL.
7. THE RULES AND REGULATIONS FOR THE CRATE RACIN' USA SANCTIONED MODIFIED SPORTSMAN DIVISION HAVE BEEN SANCTIONED AND APPROVED BY THE CRATE RACIN' USA SOUTHERN MODIFIED DIVISION, P.O. BOX 1346, CARTERSVILLE, GA 30120, AND AVAILABLE ONLINE AT [WWW.NeSMITHRACING.COM](http://WWW.NeSMITHRACING.COM).

### **SAFETY RULES: SAFETY IS THE PRIMARY RESPONSIBILTY OF THE RACER!! ALL TRACK'S GENERAL SAFETY RULES APPLY AT ALL TIMES TO EVERYONE PARTICIPATING. WE STRONGLY RECOMMEND THE FOLLOWING:**

1. **ALL DRIVERS WEAR FULL FIRE SUIT, SHOES, AND GLOVES.**
2. **ALL CARS HAVE FULLY CHARGED FIRE EXTINGUISHER MOUNTED WITHIN REACH OF DRIVER.**
3. **ALL CARS HAVE A QUALITY FUEL CELL, WITH ROLL OVER VALVE (CHECK VALVE) IN FUEL CELL VENT.**
4. **DRIVERS SIDE WINDOW NET.**

### **WEEKLY MEMBERSHIP AND ENTRY FEES:**

1. ALL DRIVERS PARTICIPATING AT DURRENCE LAYNE MODIFIED SPORTSMAN DIVISION WEEKLY SANCTIONED TRACKS AND EVENTS MUST PURCHASE AN ANNUAL MEMBERSHIP AT A COST OF \$50 PER YEAR. THIS MEMBERSHIP MAKES THE DRIVER ELIGIBLE FOR ANY WEEKLY RACING SERIES POINTS FUND MONIES AND CONTINGENCY AWARDS.
2. A DRIVER VISITING AND NOT COMPETING AT A WEEKLY SANCTIONED TRACK ON A REGULAR BASIS MAY PURCHASE A TEMPORARY MEMBERSHIP AT A COST OF \$15 PER RACE.
3. WEEKLY TRACKS WILL BE UPADATED OF RACERS MEMBERSHIP STATUS ON A WEEKLY BASIS VIA EMAIL.

4. ANY DRIVER COMPETING AT A WEEKLY SANCTIONED RACE TRACK/EVENT MUST PAY A \$10 ENTRY FEE. THE \$10 ENTRY FEE COLLECTED BY EACH SANCTIONED SPEEDWAY WILL BE RETURNED TO EACH TRACK AT SEASON'S END TO BE DISTRIBUTED IN THE TRACK'S WEEKLY POINT FUND.
5. ONE SERIES DECAL WILL BE REQUIRED TO BE PLACED ABOVE THE REAR TIRE(SEE BODY DIAGRAM) WELL ON EACH SIDE. CHEVROLET PERFORMANCE, VP RACING FUELS, VP RACING LUBRICANTS, HOOSIER RACING TIRE STICKERS MUST BE PLACED ON THE REAR SAIL PANEL OR BOTTOM OF THE DOOR ON EACH SIDE OF THE CAR.

### **WEEKLY RACE PROCEDURES:**

1. RACE PROCUDURES AT WEEKLY TRACKS ARE AT THE DISCRETION OF THE INDIVIDUAL SPEEDWAY. RACE TRACKS SHOULD BE CONSISTENT AND FAIR IN THEIR RACE FORMATS AND PROCEDURES AT ALL TIMES. KEEP IN MIND THAT RACERS ARE ALSO COMPETING AGAINST COMPETITORS AT ALL OTHER WEEKLY SANCTIONED TRACKS AT THE SAME TIME.
2. WEEKLY TRACKS MAY NOT HAVE A DOUBLE POINTS RACE FOR WEEKLY RACING SERIES POINTS. HOWEVER, IN THE EVENT OF EXCESSIVE RAIN OUTS WHERE MAKE-UP RACES ARE NEEDED, A TRACK MAY RUN A DOUBLE FEATURE EVENT. NOTICE MUST BE PROVIDED TO THE SERIES BY MONDAY AT 5 P.M. EST OF THE WEEK THE TRACK PLANS TO MAKE-UP THE EVENT IN ORDER TO ALLOW THE SERIES TO PROMOTE AND LET ALL RACERS KNOW WHAT IS TAKING PLACE AT YOUR SPEEDWAY.
3. IN THE EVENT OF RAIN AT THE SPEEDWAY DURING A SCHEDULED WEEKLY RACING EVENT, AND THE FEATURE EVENT HAS NOT COMPLETED MORE THAN HALF THE ADVERTISED LAPS, THAT EVENT MUST BE EITHER CANCELLED COMPLETELY OR MADE UP THE NEXT WEEK AS A DOUBLE FEATURE. THE FIELD WILL BE SET AS QUALIFIED FROM THE PREVIOUS ATTEMPT TO RACE.
4. RACES THAT PAY \$1,000 TO WIN AND UNDER WILL BE CONSIDERED A POINTS COUNTING, SANCTIONED CRATE RACIN' USA MODIFIED SPORTSMAN EVENTS. ANY RACE PAYING \$1,001 OR MORE TO WIN WILL NOT COUNT TOWARDS THE WEEKLY RACING SERIES POINT TOTAL.
5. NO DOUBLE FEATURES WILL BE RAN AFTER WEEK 25 OF THE WEEKLY RACING SEASON.

### **ENGINE RULES:**

#### **ENGINE OPTION #1**

1. GM PART NUMBER 88958602/19258602
2. THESE ENGINES ARE SEALED AT THE INTAKE MANIFOLD, CYLINDER HEAD, FRONT COVER, AND OIL PAN WITH SPECIAL TWIST OFF BOLT HEADS ORIGINALLY FROM GM. ORIGINAL GM SEAL BOLTS, **OR** CRATE USA GEN. III (YELLOW), **OR** GEN. IV (GREEN), **OR GM CAP SEALS** ARE THE ONLY SEALS ALLOWED. TO COMPETE WITH ANY OTHER SEALING SYSTEM CONTACT CRATE RACIN USA FOR APPROVAL. CRATE ENGINES MUST NOT BE ALTERED, MODIFIED OR CHANGED FROM FACTORY SPECS. **GEN III(YELLOW) SEALS WILL BE REMOVED FROM COMPETITION EFFECTIVE JANUARY 1, 2020.**
3. THE SEALED ENGINES MUST REMAIN INTACT AND NOT BE TAMPERED WITH. ANY SEALS THAT HAVE BEEN REMOVED OR TAMPERED WITH WILL MAKE THE ENGINE ILLEGAL AND NOT ELIGIBLE FOR COMPETITION. THE PENALTY FOR ANYONE TAMPERING WITH SEALS, MODIFYING ANY INTERNAL ENGINE PARTS, OR CHANGING THE PARTS FROM STOCK AS DELIVERED SEALED FROM THE FACTORY WILL BE SUBJECT TO EXPULSION FROM RACING WITH ANY CRATE RACIN' USA SANCTIONED EVENT FOR THE REMAINDER OF SEASON AND FUTURE SEASONS.
4. NO CHANGES ARE ALLOWED TO THE ENGINE INCLUDING THE INTAKE MANIFOLD, HEADS, VALVE COVERS, FRONT COVER, OIL PAN, HARMONIC BALANCER, OR ANY OTHER PART(S) ON OR IN ENGINE.
5. NO VACUUM PUMPS.
6. ALL CRATE ENGINES MUST REMAIN STOCK AS THEY CAME SEALED FROM THE FACTORY. CRATE ENGINES MUST NOT BE ALTERED, MODIFIED, OR CHANGED FROM FACTORY SPECS.
7. ENGINE'S GM SERIAL NUMBER, AND WHEN APPLICABLE CRATE USA BUILD CERTIFICATION NUMBER, MUST BE CLEARLY VISIBLE TO SERIES TECHNICAL INSPECTORS.
8. ANY VIOLATION OF THE ENGINE RULES AND/OR FACTORY SPECS INSIDE THE SEALING SYSTEM OF THE ENGINE WILL RESULT IN THE DRIVER AND/OR OWNER BEING DISQUALIFIED FROM THAT EVENT, AND SUSPENDED FROM

SERIES COMPETITION FOR 365 DAYS AND PAY A \$1,000 FINE. AFTER THAT PERIOD, THE DRIVER CAN ONLY COMPETE IN SERIES EVENTS WITH AN ENGINE EQUIPPED WITH ORIGINAL FACTORY GM SEALING BOLTS, OR CRATE USA SEALS FROM AN AUTHORIZED REBUILDER APPROVED AND AUTHORIZED BY CRATE RACIN USA OFFICIALS. DRIVER AND/OR OWNER WILL BE NOTIFIED IN WRITING OF SERIES DECISION. ALL DECISIONS ARE FINAL.

9. ANY VIOLATION OF THE ENGINE RULES AND/OR FACTORY SPECS OUTSIDE THE SEALING BOLTS OF THE ENGINE WILL RESULT IN THE DRIVER BEING DISQUALIFIED FROM THAT EVENT. DRIVER AND/OR OWNER COULD BE SUSPENDED FROM SERIES COMPETITION FOR UP TO BUT NOT MORE THAN 30 DAYS, AND FINED UP TO BUT NOT MORE THAN \$500.00 AT SERIES OFFICIAL'S DISCRETION. DRIVER AND/OR OWNER WILL BE NOTIFIED IN WRITING OF SERIES DECISION. ALL DECISIONS ARE FINAL.
10. MAY RUN ANY 4 BARREL CARBURETOR. MAY RUN 1" MAXIMUM CARBURETOR SPACER .040" TOLERANCE (SPACER MUST NOT EXTEND INTO THE INTAKE MANIFOLD AT ANY POINT) WITH TWO (2) STANDARD THICKNESS CARBURETOR GASKETS .070" MAXIMUM THICKNESS.

## **ENGINE OPTION #2**

1. MAXIMUM 362 CUBIC INCH. NO STROKE, NO DE-STROKE. FACTORY STEEL PRODUCTION BLOCK. ANY STEEL 23\* CYLINDER HEAD. MAXIMUM VALVE SIZE: 2.02" INTAKE AND 1.6" EXHAUST. NO PORTING OR POLISHING. STEEL OR CAST CRANKS AND RODS. NO EXOTIC MATERIAL CRANKS OR RODS(EXAMPLE: ALUMINUM OR TITANIUM)
2. FLAT TOP PISTONS ONLY. ANY FLAT TAPPET CAMSHAFT ONLY. NO ROLLER CAMS.
3. STUD MOUNT ROCKERS ONLY. NO STUD GIRDLES. STOCK DIAMETER VALVE SPRINGS ONLY. 1.260" MAXIMUM O.D. BEEHIVE SPRINGS ALLOWED. 1.320" MAXIMUM O.D. ANY MANUFACTURER (CHEVY, FORD, OR DODGE). NO DOUBLE VALVE SPRINGS.
4. MUST RUN 500 CFM 2 BARRELL CARBURETOR CARBURETORS WILL BE CHECKED WITH GO-NO-GO GAUGES TOP TO BOTTOM. MAY RUN 1" MAXIMUM CARBURETOR SPACER .040" TOLERANCE (SPACER MUST NOT EXTEND INTO THE INTAKE MANIFOLD AT ANY POINT) WITH TWO (2) STANDARD THICKNESS CARBURETOR GASKETS .070" MAXIMUM THICKNESS.
5. ANY VIOLATION OF THE ENGINE RULES AND/OR SPECS INTERNALLY OR INSIDE THE SEALING SYSTEM OF THE ENGINE WILL RESULT IN THE DRIVER AND/OR OWNER BEING DISQUALIFIED FROM THAT EVENT, AND SUSPENDED FROM SERIES COMPETITION FOR 365 DAYS AND PAY A \$1,000 FINE. DRIVER AND/OR OWNER WILL BE NOTIFIED IN WRITING OF SERIES DECISION. ALL DECISIONS ARE FINAL.
6. ANY VIOLATION OF THE ENGINE RULES AND/OR FACTORY SPECS OUTSIDE THE SEALING BOLTS OF THE ENGINE WILL RESULT IN THE DRIVER BEING DISQUALIFIED FROM THAT EVENT. DRIVER AND/OR OWNER COULD BE SUSPENDED FROM SERIES COMPETITION FOR UP TO BUT NOT MORE THAN 30 DAYS, AND FINED UP TO BUT NOT MORE THAN \$500.00 AT SERIES OFFICIAL'S DISCRETION. DRIVER AND/OR OWNER WILL BE NOTIFIED IN WRITING OF SERIES DECISION. ALL DECISIONS ARE FINAL.

## **ENGINE PROTESTS:**

1. THE PROTEST FEE FOR A COMPLETE TEAR DOWN ON AN ENGINE THAT FINISHES THE FEATURE EVENT IS \$750. COMPLETE TEAR DOWN IS ONLY OPTION AVAILABLE. THE PROTEST FEE MUST BE PAID TO THE RACE DIRECTOR OR TECHNICAL DIRECTOR, IN CASH, WITHIN 10 MINUTES AFTER THE CHECKERED FLAG HAS FALLEN ON THE FEATURE. MUST FINISH IN THE TOP 5 TO BE ELIGIBLE TO PROTEST. \$100 OF PROTEST FEE WILL GO THE SERIES/TRACK. REMAINING WILL GO TO WINNER OF PROTEST. **ANY PART OR PARTS FOUND TO BE ILLEGAL WILL BE CONFISCATED.**
2. ANY TIME AN ENGINE IS PROTESTED, AND DRIVER/CAR OWNER ACCEPTS PROTEST AND AGREES TO TEAR DOWN, THE ENGINE BEING PROTESTED MUST BE REMOVED AND IMPOUNDED BY RACE TRACK RIGHT THEN. ARRANGEMENTS FOR NATIONAL TECHNICAL DIRECTOR FOR INSPECTION WILL BE MADE. ANY REFUSAL AT THIS POINT FOR ANY REASON WILL RESULT IN DISQUALIFICATION AND DEALT WITH ACCORDINGLY. **NO COUNTER/REVERSE PROTEST ALLOWED (CAN NOT PROTEST CAR FINISHING BEHIND YOU).**
3. ANY CRATE RACIN' USA SANCTIONED RACE TRACK IS AUTHORIZED TO CALL FOR AN ENGINE INSPECTION OR TEAR DOWN BY TRACK OR CRATE RACIN' USA NATIONAL TECHNICAL DIRECTOR. IF THIS HAPPENS TRACK WILL REMOVE ENGINE AT RACE TRACK, AND IMPOUND UNTIL INSPECTION DAY CAN BE ARRANGED FOR ALL PARTIES INVOLVED.
4. FAILURE AND/OR REFUSAL TO TEAR DOWN ANY ENGINE AND/OR FOR YOUR RACE CAR TO BE INSPECTED BY SERIES OFFICIALS AT ANY TIME WILL RESULT IN A 365-DAY SUSPENSION AND FINE OF A DETERMINED AMOUNT BY SERIES OFFICIALS.

5. ONLY TWO PEOPLE FROM THE PROTESTED CAR AND THE DRIVER FILING THE PROTEST WILL BE ALLOWED IN THE TECH AREA DURING A PROTEST. DRIVER INITIATING THE PROTEST MUST BE PRESENT. ALL OFFICIAL'S DECISIONS ARE FINAL.

### **DISTRIBUTOR RULE**

1. NO MAGNETOS. MSD OK. 6AL OR 6ALN BOX ONLY.
2. SERIES OR TRACK RESERVES THE RIGHT TO CHANGE MSD BOXES WITH ANY CAR AT ANY TIME.
3. NO ELECTRONIC TRACTION CONTROL DEVICES ALLOWED! MSD BOXES MAY BE CONFISCATED BY SERIES AT ANY TIME.

### **ENGINE SETBACK RULE**

1. ENGINE BELLHOUSING FLANGE TO CENTER OF AXLE TUBE – 70" MINIMUM.

### **WEIGHT**

1. CARS EQUIPPED WITH CHEVROLET PERFORMANCE 602 ENGINES (ENGINE OPTION #1) MUST WEIGH 2,400 LBS.
2. CARS EQUIPPED WITH "BUILT" ENGINES ADHERING TO THE SPECIFICATIONS IN ENGINE OPTION #2 MUST WEIGH 2,600 LBS.
3. ALL CARS WILL BE ALLOWED A 1 LB. PER GREEN FLAG LAP BURNOFF ALLOWANCE AT THE COMPLETION OF ANY RACE. (EXAMPLE: 8 LAP HEAT RACE=8 LB. ALLOWANCE)
4. EACH TRACK'S ON SITE SCALES ARE THE OFFICIAL SCALES AND WILL BE USED IN DETERMINING OFFICIAL WEIGHT OF EACH CAR.

### **FUELS, FUEL CELL, AND FUEL PUMP RULE**

1. AN APPROVED FUEL CELL MUST BE SECURELY MOUNTED IN THE TRUNK AREA OF THE CAR, INSIDE A .20 GAUGE METAL BOX SUPPORTED BY A MINIMUM OF TWO (2) 2" BY 1/8" STEEL STRAPS.
2. GASOLINE, RACING GAS OR E-85 ALLOWED. NO METHANOL OR ALCOHOL. NO NITROUS OXIDE. NO PROPYLENE OXIDE. NO NITROETHANE OR MTBE. NO HYDRAZINE. NO ETHYLHEXANOL. GASOLINE OR RACING GAS MUST HAVE A SPECIFIC GRAVITY OF LESS THAN .761. ANY FUEL WITH A SPECIFIC GRAVITY OF .762 OR GREATER WILL BE DISQUALIFIED. IT IS THE RACER'S RESPONSIBILITY TO KNOW WHAT IS BEING PUT INTO THEIR FUEL CELL. SERIES RESERVES THE RIGHT TO TAKE FUEL SAMPLES AND SEND THEM TO AN INDEPENDENT LABORATORY FOR TESTING AT ANY TIME.

#### **Recommended Fuels to Use:**

**VP Race Fuels is the Official Fuel and Racing Lubricant of the Durrence Layne Chevrolet Modified Sportsman Division**

#### **PENALTIES FOR ILLEGAL FUEL:** PENALTIES FOR ANY FUEL FAILING INSPECTION WILL BE AS FOLLOWS:

FIRST OFFENSE - \$500 FINE & 30 DAY SUSPENSION FROM ANY CRATE RACIN USA SANCTIONED EVENT.

SECOND OFFENSE - \$1,000 FINE & 90 DAY SUSPENSION FROM ANY CRATE RACING USA SANCTIONED EVENT.

THIRD OFFENSE - \$2,000 FINE & 365 DAY SUSPENSION FROM ANY CRATE RACING USA SANCTIONED EVENT.

#### **ALL DECISIONS ARE FINAL.**

3. MECHANICAL FUEL PUMP ONLY, MOUNTED IN STOCK LOCATION.

### **STARTER, POWER STEERING, AND WATER PUMP RULE**

1. ALL CARS MUST HAVE STARTER IN WORKING ORDER.
2. STARTER MUST BE MOUNTED IN STOCK LOCATION. NO REVERSE MOUNT STARTERS.
3. NO REVERSE MOUNT POWER STEERING PUMPS.

4. NO ELECTRIC WATER PUMP. MANUAL FANS ONLY.

### **EXHAUST RULE**

1. COLLECTOR TYPE HEADERS REQUIRED. MUST HAVE FOUR (4) TUBES INTO ONE(1) COLLECTOR OF CONSISTENT DIAMETER.
2. NO TRI-Y HEADERS OR MERGED HEADERS ALLOWED.
3. NO SQUARE TUBE HEADERS
4. MUFFLERS NOT REQUIRED UNLESS MANDATED BY TRACK. WHEN MANDATED, MUFFLERS MUST HAVE SOME TYPE OF INTERNAL NOISE DAMPENING CHARACTERISTICS (i.e. BAFFLES, EXTRUDED HOLES, SCREEN, CHAMBERED, ETC. MUFFLERS MUST MEET LOCAL SPEEDWAY'S NOISE DECIBEL REQUIREMENTS.

### **ROLL CAGE**

1. MUST BE CONSTRUCTED OF MINIMUM 1.5" O.D. STEEL TUBING, WITH A MINIMUM WALL THICKNESS OF .095".
2. MINIMUM OF 3 DOOR BARS, MINIMUM 1.5" O.D. AND .083" MINIMUM WALL THICKNESS ON DRIVER'S SIDE.
3. MINIMUM OF 2 PASSENGER SIDE DOOR BARS.
4. DRIVER'S HEAD/HELMET SHOULD NOT PROTRUDE OUTSIDE OF CAGE WITH HELMET ON.

### **BODY**

1. SEE ATTACHED DIAGRAM FOR SPECIFIC BODY MEASUREMENTS.
2. FULL SIZE FIBERGLASS OR ALUMINUM ROOFS. NO DISHED ROOFS ALLOWED.
3. SAIL PANELS – MUST BE SOLID AND MEET DIMENSIONS IN ATTACHED DIAGRAM. MUST BE MOUNTED WITHIN 2" OF OUTSIDE EDGE OF INTERIOR DECK.
4. REAR SPOILER – 4" MAXIMUM MATERIAL HEIGHT, AND MAXIMUM 67" WIDE. MAXIMUM THREE (3) SPOILER BRACES ALLOWED, MUST BE MOUNTED IN LINE. NO WINGS, LIPS, OR FINS OF ANY TYPE ALLOWED.
5. ALUMINUM NOSE PANEL MUST BE FLAT, WITH A MAXIMUM 2" SIDE FINS ALLOWED ON NOSE.
6. ENGINE COMPARTMENT MUST REMAIN OPEN, WITH NO SIDE PANELS.
7. NOSE PIECES MAY BE MAXIMUM 42" WIDTH, CENTERED BETWEEN FRAME RAILS, AND MUST NOT EXTEND PAST THE LEADING EDGE OF THE FRONT BUMPER.

### **TRANSMISSION AND DRIVELINE**

1. NO STRAIGHT/DIRECT DRIVES. NO IN OR OUT BOXES.
2. BERT, BRINN, OR EQUIVALENT OK.
3. DRIVE SHAFT LOOP MANDATORY ON ALL CARS. MUST BE MOUNTED 5" TO 8" BEHIND FRONT U-JOINT OF DRIVE SHAFT. ALL DRIVE SHAFTS MUST BE PAINTED WHITE FOR SAFETY.

### **SUSPENSION RULES:**

1. NO DATA ACQUISITION DEVICES OF ANY TYPE ALLOWED.

### **FRONT SUSPENSION**

1. NO SPRING RUBBERS. NO PROGRESSIVE SPRINGS.
2. STOCK LOWER CONTROL ARMS MUST BE MOUNTED IN STOCK LOCATION.
3. ANY STOCK PASSENGER CAR SPINDLES.

4. ONE SPRING ALLOWED ON EACH CORNER. MUST BE A MINIMUM OF 5".
5. TUBULAR UPPER A-FRAMES ALLOWED. UPPER A-FRAME MOUNTS MAY BE RELOCATED
6. NO BUMP STOPS OF ANY TYPE ALLOWED.
7. NO CHAINS/LIMITERS OF ANY TYPE ALLOWED.
8. STOCK TYPE STEERING BOX. NO RACK AND PINION. STEERING QUICKENER OK. STOCK CENTER LINK.
9. TIE RODS MAY BE TUBULAR AND MADE WITH HYME JOINTS.
10. STEEL BRAKE ROTORS AND CALIPERS ONLY. NO ALUMINUM SUSPENSION PARTS ALLOWED.

## **REAR SUSPENSION**

1. NO SPRING RUBBERS. NO PROGRESSIVE SPRINGS.
2. QUICK CHANGE REAR ENDS ALLOWED. MAGNETIC STEEL AXLE TUBES, HUBS, ROTORS, AND DRIVE FLANGES ONLY. NO GUN DRILLED AXLES.
3. STEEL BRAKE ROTORS AND CALIPERS ONLY. NO ALUMINUM SUSPENSION PARTS PERMITTED.
4. ALL REAR SUSPENSION MOUNTS AND/OR BRACKET MUST BE WELDED OR BOLTED SOLID.
5. ONE SPRING ALLOWED ON EACH CORNER. ALL SPRINGS MUST BE A MINIMUM OF 5".
6. ALL REAR SPRINGS MUST BE MOUNTED CENTRLINE OF REAR END HOUSING.
7. NO SLIDERS.
8. THREE(3) LINK SUSPENSION SETUPS MUST ADHERE TO THE FOLLOWING REQUIREMENTS:
  - a. LOWER CONTROL ARMS MUST BE A MAXIMUM LENGTH OF 24" AND MINIMUM OF 15".
  - b. UPPER CONTROL ARM SHOULD BE CONSTRUCTED OF SOLID MATERIAL LOCATED AT THE TOP CENTER OF THE REAR END HOUSING AND REMAIN CENTERED OVER THE REAR END HOUSING AND TOP OF THE DRIVE SHAFT(1" TOLERANCE). NO MOVABLE BRACKETS.
  - c. ONE PANHARD BAR, MINIMUM 23" LENGTH, MAY BE MOUNTED BEHIND THE REAR END HOUSING.
  - d. J-BAR MAY BE USED, MINIMUM 19 1/2" LENGTH. MUST BE MOUNTED FROM LEFT SIDE OF CHASSIS, TO THE RIGHT SIDE OF DRIVE SHAFT.
  - e. REAR SPRINGS MUST BE MOUNTED ON TOP OF AXLE TUBE. CENTER OF SPRING MUST BE CENTER OF AXLE TUBE. ZERO TOLERANCE!
9. STOCK OEM SUSPENSION SETUPS MUST ADHERE TO THE FOLLOWING REQUIREMENTS:
  - a. LOWER CONTROL ARMS MUST REMAIN IN STOCK LOCATION ON CHASSIS.
  - b. LOWER CONTROL ARMS MUST BE MOUNTED NO LOWER THAN 2 3/4" FROM BOTTOM OF AXLE TUBE.
  - c. UPPER CONTROL ARMS MUST REMAIN IN STOCK LOCATION ON CHASSIS.
  - d. UPPER CONTROL ARM MOUNTS 7 3/4" FROM CENTER OF AXLE TUBE TO CENTER OF MOUNTING BOLTS.
  - e. REAR SPRINGS MUST BE MOUNTED ON TOP OF AXLE TUBE. CENTER OF SPRING MUST BE CENTER OF AXLE TUBE. ZERO TOLERANCE!
10. LEAF SPRING SUSPENSION – ANY LEAF SPRING ALLOWED. NO COIL SPRINGS ALLOWED.
11. NO BUMP STOPS OF ANY TYPE ALLOWED.
12. SOLID LIMITING CHAIN ALLOWED ON LEFT REAR SUSPENSION ONLY.

## **CHASSIS AND FRAME**

1. WHEELBASE – MINIMUM 108", MAXIMUM 112".

## **SHOCKS**

1. ONLY ONE (1) STEEL BODIED, SYMMETRIC(SAME SIZE/DIAMETER), NON ADJUSTABLE SHOCK PER WHEEL. NO SCHRADER VALVE SHOCKS. NO PIERCING VALVES. SHOCKS VALVING OR GAS PRESSURES MAY NOT BE ADJUSTABLE AT RACE TRACK.
2. NO SHOCK COVERS. NO AIR SHOCKS. NO REMOTE RESERVOIR SHOCKS.
3. FRONT SHOCKS MUST EXTEND 7" MINIMUM, AND MUST BE FULLY COLLAPSIBLE. REAR SHOCKS MUST EXTEND 9" AND BE FULLY COLLAPSIBLE.
4. **SHOCK CLAIM:** SHOCK CLAIM: \$200 PER SHOCK. CAR CLAIMING SHOCKS MUST FINISH IN TOP 5 AND ON THE LEAD LAP. REFUSAL TO ALLOW SHOCKS TO BE CLAIMED OR CONFISCATED WILL RESULT IN DRIVER LOSING ALL POINTS AND MONEY, AND FACE THE FOLLOWING PUNISHMENT: FIRST OFFENSE: 2 WEEK SUSPENSION AND \$250 FINE; SECOND OFFENSE: 30-DAY SUSPENSION AND \$500 FINE; THIRD OFFENSE - \$1,000 FINE AND 365 DAY (ONE YEAR) SUSPENSION. **NO REVERSE SHOCK CLAIMS (CAN NOT CLAIM SHOCKS FROM CAR FINISHING BEHIND YOU).**
5. SERIES MAY CONFISCATE OR CLAIM SHOCKS AT ANY TIME. IF CONFISCATED AND SHOCKS ARE DEEMED LEGAL, THEY WILL BE RETURNED TO DRIVER. IF SHOCKS ARE ILLEGAL, DRIVER WILL LOSE ALL POINTS AND MONEY, AND FACE THE FOLLOWING PUNISHMENT: FIRST OFFENSE: 2 WEEK SUSPENSION AND \$250 FINE; SECOND OFFENSE: 30-DAY SUSPENSION AND \$500 FINE; THIRD OFFENSE - \$1,000 FINE AND 365 DAY (ONE YEAR) SUSPENSION.

## **WHEELS AND TIRES**

1. 8" STEEL WHEELS MAXIMUM. BEADLOCKS ALLOWED ON RIGHT SIDE ONLY. STOCK TYPE LUG PATTERN ONLY. NO WIDE 5 WHEELS OR ADAPTERS.
2. HOOSIER H-500 TIRES ONLY.
3. NO GROOVING. NO SIPING. NO NEEDLING.
4. GRINDING AND BUFFING OF TIRES IS PERMITTED. NO VISUAL CUTS SHOULD BE PRESENT ON TIRES. USE OF CARBIDE/NAIL STYLE DISCS IS PROHIBITED.
5. TIRES MUST REMAIN IN FACTORY MANUFACTURED CONDITION. ANY ALTERATIONS FROM FACTORY MANUFACTURED TIRES IS PROHIBITED. ALL DECISIONS ARE FINAL.
6. NO CHEMICALLY ALTERING OF TIRES.

CRATE RACIN USA USES "THE SNIFFER" AS ONE OF ITS TOOLS FOR CHEMICAL DETECTION. AT ANY TIME "THE SNIFFER" DETERMINES THERE IS AN UNAPPROVED CHEMICAL PRESENCE, WHETHER INSIDE THE TIRE, WHEEL, OR OUTSIDE THE TIRE OR WHEEL, THAT DRIVER/DRIVERS WILL BE DISQUALIFIED FOR THE REMAINDER OF THE RACING EVENT. TIRE/TIRES IN QUESTION WILL BE CONFISCATED. THE SERIES MAY OR MAY NOT USE LABORATORY TESTS TO TEST FOR ANY ALTERATION OF TIRES. ANY TIRE LAB TESTED THAT FAILS TO MEET THE FACTORY DETERMINED BENCHMARK WILL BE DISQUALIFIED. THE SERIES MAY USE ANY MEANS NECESSARY TO DETERMINE IF TIRES MEET HOOSIER BENCHMARK, AND THAT DECISION IS THE SOLE DISCRETION OF THE SERIES. **ALL DECISIONS ARE FINAL.**

7. **PENALTIES FOR ILLEGAL TIRES:** PENALTIES FOR ANY TIRE FAILING INSPECTION WILL BE AS FOLLOWS:  
 FIRST OFFENSE - \$500 FINE & 30 DAY SUSPENSION FROM ANY CRATE RACIN' USA SANCTIONED EVENT.  
 SECOND OFFENSE - \$1,000 FINE & 90 DAY SUSPENSION FROM ANY CRATE RACIN' USA SANCTIONED EVENT.  
 THIRD OFFENSE - \$2,000 FINE & 365 DAY SUSPENSION FROM ANY CRATE RACIN' USA SANCTIONED EVENT.  
 FAILURE TO ALLOW ANY TIRE/TIRES TO BE CONFISCATED WILL RESULT IN ADDITIONAL \$500 PER TIRE FINE IN ADDITION TO ANY OTHER FINES AND PENALTIES. **ALL DECISIONS ARE FINAL.**

## **CODE OF CONDUCT AND PENALTIES:**

1. DRIVERS, CAR OWNERS, AND TEAMS ARE ALWAYS TO CONDUCT THEMSELVES IN AN ORDERLY AND PROFESSIONAL MANNER WHILE AT A NESMITH PERFORMANCE PARTS STREET STOCK SANCTIONED EVENT. SERIES DIRECTOR WILL JUDGE INCIDENTS OF CONDUCT ACCORDINGLY, AND USE THE FOLLOWING CRITERIA TO ASSESS ANY PENALTIES UPON A DRIVER, CAR OWNER, OR RACE TEAM AS NECESSARY.
2. DRIVERS WILL BE NOTIFIED OF PENALTIES THAT HAVE BEEN LEVIED BY THE SERIES DIRECTOR. ALL SERIES DIRECTOR'S DECISIONS SHALL BE FINAL.
3. NOTE: THIS RULE IS NOT INTENDED TO ELIMINATE COMPETITION OR ACCIDENTAL CONTACT; HOWEVER, IT IS INTENDED THAT DELIBERATE CONTACT AND/OR OVER-DRIVING WILL BE PENALIZED.



4. ANY COMPETITOR THAT VERBALLY ABUSES A SERIES OFFICIAL BY USING PROFANE AND/OR DISRESPECTFUL LANGUAGE IS SUBJECT TO A FINE OF \$100 FOR THE FIRST OFFENSE. A \$300 FINE AND ONE-RACE SUSPENSION AND LOSS OF POINTS FOR THE SECOND OFFENSE. MORE THAN TWO OFFENSES WILL BE SUBJECT TO A ONE MONTH OR MORE SUSPENSION AND LOSS OF POINTS.
5. ANY PHYSICAL CONFRONTATION, EITHER ON THE RACE TRACK OR IN THE PITS, WILL RESULT IN THE AGGRESSOR/AGGRESSORS BEING SUSPENDED FOR ONE RACE, LOSS OF POINTS, AND FINED \$300 FOR THE FIRST OFFENSE. THE SECOND OFFENSE WILL BE A SUSPENSION FOR THE REMAINDER OF THE SEASON, AND A MINIMUM OF A \$500 FINE.
6. ANY DRIVER WHO ENTERS ANOTHER DRIVER'S PIT AREA WILL BE DEEMED THE AGGRESSOR. AWAY FROM EITHER DRIVERS PIT AREA, BOTH DRIVERS WILL BE CONSIDERED AGGRESSORS. DRIVERS SHOULD BE AWARE THAT THEY WILL BE HELD RESPONSIBLE FOR ANY MEMBERS OF THEIR RACE TEAM, AND THE ABOVE PENALTIES WILL APPLY EVEN IF THE DRIVER CONCERNED IS NOT DIRECTLY INVOLVED.
7. ANY INCIDENTS THAT OCCUR DURING THE LAST FIVE EVENTS OF THE SEASON COULD RESULT IN PENALTIES BEING APPLIED AT THE BEGINNING OF THE FOLLOWING SEASON.
8. ANY INCIDENTS THAT ARE JUDGED TO BE DELIBERATE ACTS OF AGGRESSION, WHETHER ON OR OFF THE TRACK, UNDER GREEN OR CAUTION, WILL RESULT IN DISQUALIFICATION AND A MONETARY FINE TO BE DETERMINED BY SERIES OFFICIALS.
9. SERIES OFFICIALS RESERVE THE RIGHT TO INCREASE THE ABOVE PENALTIES DEPENDING ON THE SEVERITY OF THE INCIDENT.
10. SERIES OFFICIALS RESERVE THE RIGHT TO REVOKE COMPETITOR'S MEMBERSHIP AT ANY TIME, ALL OFFICIAL'S DECISIONS ARE FINAL.
11. ANY THREAT OF, OR LEGAL ACTION TAKEN OR LEVIED AGAINST THE SERIES, WILL IMMEDIATELY RESULT IN THE DRIVER'S INDEFINITE SUSPENSION FROM COMPETITION IN ALL CRATE RACIN' USA SANCTIONED DIVISIONS.
12. ANY DISQUALIFICATION OTHER THAN A WEIGHT VIOLATION WILL RESULT IN NO POINTS AND NO MONEY FOR THE EVENT.
13. ALL OFFICIAL'S DECISIONS ARE FINAL.

**ATTENTION ALL CAR OWNERS AND DRIVERS:**

PLEASE REMEMBER THAT WE ARE HERE BECAUSE OF THE FANS, PROMOTERS AND THE SPONSORS. IF THEY DON'T BENEFIT, WE WON'T BENEFIT. WHILE WE UNDERSTAND THAT THIS COMPETITION INVOLVES SUBSTANTIAL FINANCIAL STAKES, THERE IS NO EXCUSE FOR BAD OR UNRULY BEHAVIOR, WHICH WOULD TEND TO BRING THE SERIES INTO DISREPUTE.

IN THE EVENT OF ANY FELONY CONVICTION OF A DRIVER, TEAM MEMBER OR TEAM SPONSOR, THE DISCIPLINARY ACTION COULD BE A MINIMUM 12 MONTH BAN FROM THE SERIES BEGINNING WITH THE DATE OF THE CONVICTION, OR, THE DATE OF THE COMPLETION OF ANY INCARCERATION SUBSEQUENT TO SAID CONVICTION, WHICHEVER DATE SHALL LAST OCCUR.

DISCIPLINARY ACTION MAY ALSO INCLUDE, BUT IS NOT LIMITED TO, THE RIGHT OF THE SERIES ORGANIZERS AND OFFICIALS TO SUSPEND EITHER TEMPORARILY, OR PERMANENTLY, ANY DRIVER, TEAM MEMBER OR TEAM SPONSOR, WHOSE ACTIONS, IN THE SOLE OPINION AND DISCRETION OF THE SERIES ORGANIZERS AND OFFICIALS, MAY HAVE RESULTED IN, OR MAY RESULT IN, HARM OR DETRIMENT TO CRATE RACIN' USA .

THE SERIES ORGANIZERS AND OFFICIALS ALSO RESERVE THE RIGHT TO REQUEST THE REMOVAL OF ANY DEROGATORY OR DISTASTEFUL STATEMENTS ON ANY RACE CAR, TRAILER OR TRANSPORTER. FAILURE TO COMPLY WITH THIS REQUEST FOR REMOVAL MAY RESULT IN DISQUALIFICATION FROM SOME OR ALL OF THE CRATE RACIN' USA SANCTIONED EVENTS.

THE DECISIONS MADE, AND THE DISCIPLINARY ACTIONS TAKEN, BY THE SERIES ORGANIZERS AND OFFICIALS HEREUNDER SHALL NOT BE APPEALED BY THE DRIVER, TEAM MEMBER OR TEAM SPONSOR AFFECTED THEREBY.

**PLEASE NOTE:** BY ENTERING, QUALIFYING AND/OR RACING IN A CRATE RACIN' USA EVENT, YOU ARE ACCEPTING THESE RULES AND REGULATIONS AS BEING THOSE UNDER WHICH YOU ARE PREPARED TO RACE. ANY DRIVER ENTERING AND COMPETING IN A CRATE RACIN' USA EVENT ACKNOWLEDGES AND ACCEPTS THE FOLLOWING: CRATE RACIN' USA AND



ITS ASSIGNS MAY USE THE DRIVERS NAMES, PICTURES, LIKENESS, AND PERFORMANCES IN ANY WAY, MEDIUM, OR MATERIAL; INCLUDING WITHOUT LIMITATION BY AND THROUGH, TELEVISION, RADIO, AIR WAVE: CABLE AND SATELLITE BROADCASTS, FILM PRODUCTIONS, VIDEOTAPE REPRODUCTIONS, AUDIOTAPE REPRODUCTIONS, TRANSMISSIONS OVER THE INTERNET, AND PUBLIC AND PRIVATE ON-LINE SERVICES AUTHORIZED BY THE CRATE RACIN' USA AND THE LIKE, BEFORE, DURING AND AFTER THE EVENT, FOR PROMOTING, ADVERTISING, RECORDING OR REPORTING IN THE EVENT OR ANY OTHER CRATE RACIN' USA SANCTIONED EVENT, AND DO HEREBY RELINQUISH ALL RIGHTS THERE TO FOR THESE PURPOSES, PROVIDED HOWEVER, THAT THE CAR OWNER AND DRIVER SHALL RETAIN THE EXCLUSIVE USE OF ITS OR HIS/HER NAME; PICTURE AND LIKENESS IN CONNECTION WITH PRODUCT ENDORSEMENTS AND THE SALE OF PRODUCTS, SERVICES, CONCESSIONS AND MERCHANDISE.

WEEKLY RACING SERIES POINTS SYSTEM:

**8 OR MORE CARS:**

1. 50
2. 49
3. 48
4. 47
5. 46
6. 45
7. 44
8. 43
9. 42
- 10-THRU FIELD 41

**LESS THAN 8 CARS:**

1. 40
2. 39
3. 38
4. 37
5. 36
6. 35
7. 34

EVENT NON-QUALIFIER OR DOES NOT START FEATURE RACE: 25 (MUST PARTICIPATE IN AT LEAST HOT LAPS TO BE COUNTED IN THE CAR COUNT TOTAL FOR THE EVENT AND RECEIVE THE 25 POINTS. JUST ENTERING THE EVENT AND PACKING THE TRACK DOES NOT COUNT AS PARTICIPATION IN THE EVENT.)

BEST 14 WEEKLY FINISHES ALONG WITH BONUS POINTS, OVER THE WEEKLY RACING SEASON THAT RUNS FROM MARCH 25, 2019 TO SEPTEMBER 29, 2019 WILL BE COUNTED FOR POINT TOTALS. IF A DRIVER COMPETES IN MULTIPLE EVENTS DURING THE WEEK THAT BEGINS ON MONDAY AND ENDS ON SUNDAY, ONLY THE DRIVER'S HIGHEST EVENT POINT TOTAL FOR THE WEEK WILL COUNT IN THE BEST 14 FINISHES. THE LOWER EVENT TOTALS FOR MULTIPLE EVENTS DURING A WEEK OF COMPETITION WILL BE DISCARDED.

IN THE EVENT OF A TIE IN NATIONAL POINTS, THE TIE WILL BE BROKEN AS FOLLOWS:

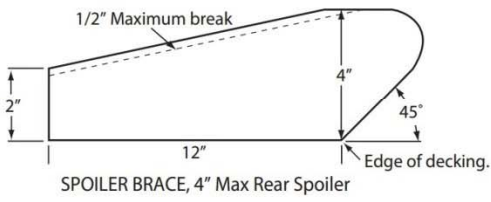
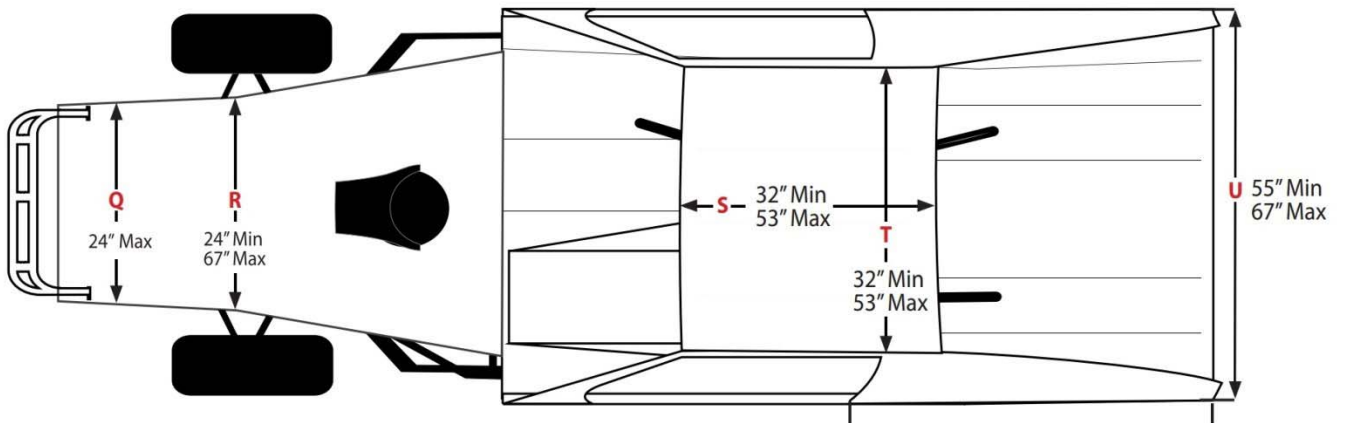
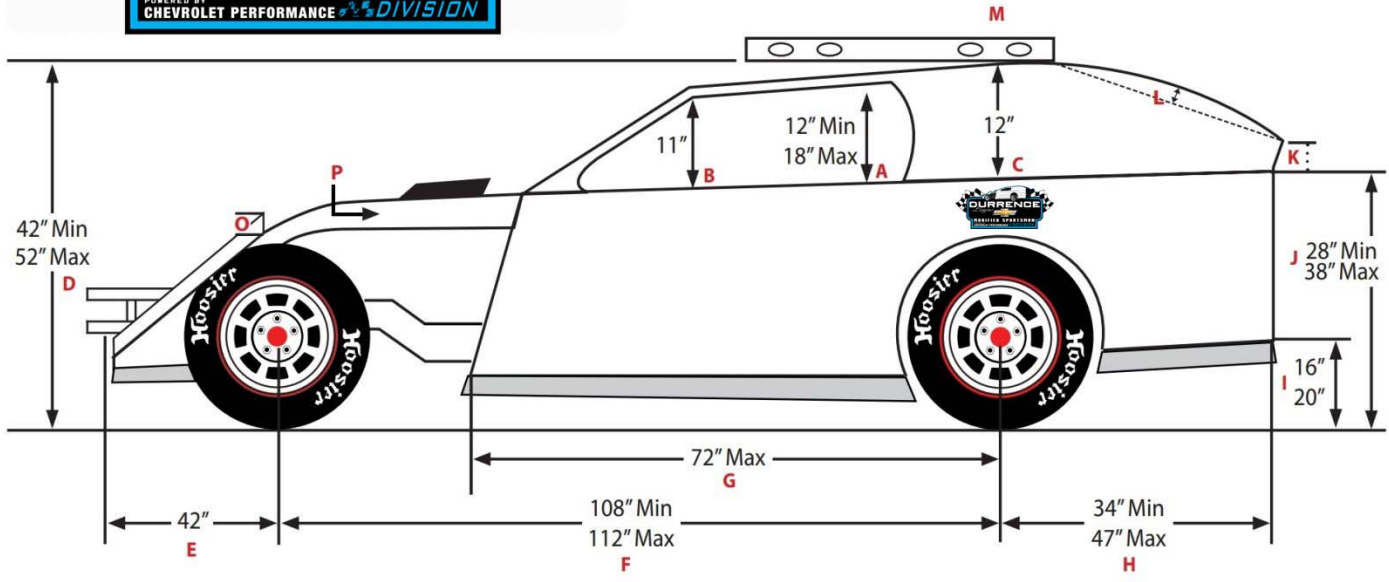
- 1<sup>ST</sup> TIE BREAKER: NUMBER OF 50 POINT RACE WINS
- 2<sup>ND</sup> TIE BREAKER: NUMBER OF 50 POINT SECOND PLACE FINISHES
- 3<sup>RD</sup> TIE BREAKER: NUMBER OF 50 POINT THIRD PLACE FINISHES

ALL 50 POINT RACE FINISHES WILL COUNT TOWARD THE TIE BREAKER, NOT JUST THOSE EVENTS IN THE NETTED POINTS.

RACES THAT PAY \$1,000 TO WIN AND UNDER WILL BE CONSIDERED A POINTS COUNTING, SANCTIONED CRATE RACIN' USA MODIFIED SPORTSMAN EVENT. ANY RACE PAYING \$1,001 OR MORE TO WIN WILL NOT COUNT TOWARDS THE WEEKLY RACING SERIES POINT TOTAL.



# DIMENSIONS FOR 2019



- A.** Window opening - 12" Min - 18" Max
- B.** Front edge of roof to interior deck - 11" Min
- C.** Rear edge of roof to interior deck - 12" Min
- D.** Highest point of roof to ground - 42" Min - 52" Max
- E.** Center of front wheel to front edge of front bumper - 42"
- F.** Wheelbase: Center of rear wheel to center of front wheel - 108" Min - 112" Max
- G.** Center of rear wheel to front edge of door - 72" Max
- H.** Center of rear wheel to rear edge of quarter panel - 34" Min - 47" Max
- I.** Center of lowest bar on rear bumper to ground - 16" Min - 20" Max
- J.** Deck height to ground - 28" Min - 38" Max
- K.** Rear sail panel height 4" Max
- L.** Sail panel curve from rear of roof to rear of panel - 2" Max
- M.** Sail panel bow from bottom to roof - 2" Max
- O.** 2" Max lip, same on both sides flush with hood
- P.** 5" Max drop (sides) sealed off from driver's compartment and Max 6" rake
- Q.** 24" Max nose must be flat and flush with sides
- R.** 67" Max 24" Min, must cover radiator
- S.** 53" Max 32" Min
- T.** 53" Max 32" Min
- U.** 67" Max 55" Min, measured at top of interior deck, must be same front to back